

## GA-Visio GA-Visio LED

Pre-assembled porthole counterflange designed for installation on Ga-connect or NA-Connect. This configuration ensures a unit that has been tested and validated in our workshops prior to shipping. Installation is simplified, as the tri-clamp seal is included in the standard housing between two flanges (with grooves on both sides). There is no risk of glass breakage during tightening.

**Application:** Minimizes retention areas due to its aseptic lower flange. The porthole counter flange comprises:

- Tempered borosilicate glass (or alternative)
- 2 PTFE or alternative flat gaskets
- M4 pre-assembly fasteners

It is available in two versions:

- View only
- GALED visualization and lighting integration

### Type:

- **Compatible with the Ga connect range**

### Possible combinations:

- GALED projector featuring an LED lamp (4 to 8 units depending on DN). Exclusively powered by direct current, dimmable at 24VDC.
- The lamp is of OSRAM quality, rated at 24VDC/1W.

### Certificate:

Certificate of Conformity Including

- Material certificate: 3.1 for flanges
- Roughness certification
- Hydraulic examination

### Nomenclatures and material selections:

Welding flange: 1.4404, 1.4435, 1.4539, or additional variants.

Against the porthole flange:

- Counter flange: 1.4307, 1.4404, or alternatives
- Tempered borosilicate glass
- PTFE, EPDM, silicone, or other flat gaskets PTFE, EPDM, silicone, or other flat gaskets
- M4 pre-assembly screws, A2 stainless steel.

- Joint tri-clamp: EPDM, silicone, PTFE.

A2 stainless steel stud assembly screws and blind nuts.

### Bespoke machining:

- Machining a radius at the welding flange for attachment to the tank shell is feasible. The flange thicknesses may vary, typically ranging from 12mm to 25mm or others specifications.
- Machining of specialized flanges in accordance with specifications.

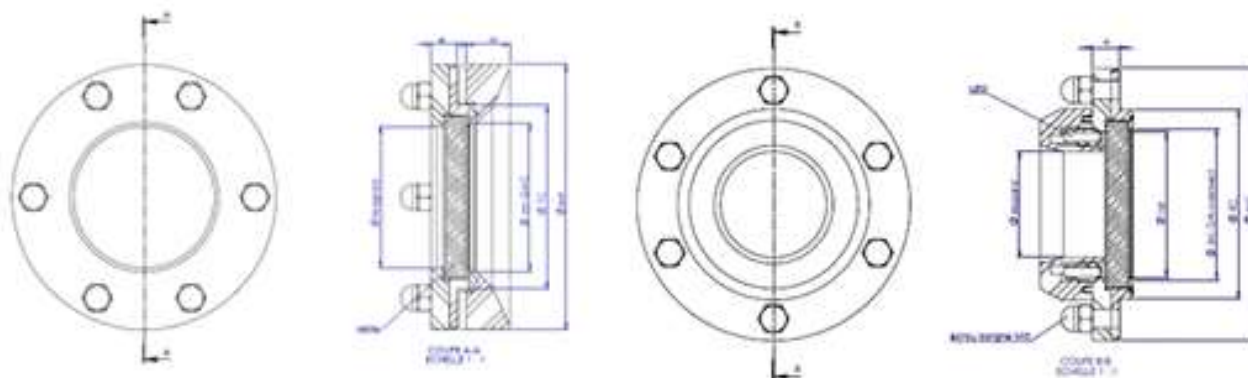


<https://www.gallet-fr.com>

**GALLET INDUSTRIAL EQUIPMENT**

**12 Z.I. Saint Éloi**

**TEL: 03.87.78.33.83 E-MAIL: gallet@gallet-fr.com**



TO	D1 (TC)	H	External diameter	D int. GA connection	Glass dimensions	Diameter. consideration	Diameter. View with projector	LED Designation	E	Nb screws	Screws
OD 1"1/2	50,5	25	85	34.8	40x10	30	-	-	11	4	M8x25
FROM 2"	64	25	100	47.5	50x10	44	25	4	11	4	M8x25
OD 2"1/2	77,5	25	112	60.2	65x10	56	37	6	11	4	M8x25
FROM 3"	91	25	131	72.9	80x10	70	51	6	13	6	M8x25
FROM 4 inches	119	25	170	97.3	100x10	90	71	8	13	6	M8x30



**GA-Visio LED DN2"1/2 on flange GA-connect**



**GA-Visio LED DN3"**

<https://www.gallet-fr.com>

**GALLET INDUSTRIAL EQUIPMENT**

**12 Z.I. Saint Éloi**

**TEL: 03.87.78.33.83 E-MAIL: gallet@gallet-fr.com**